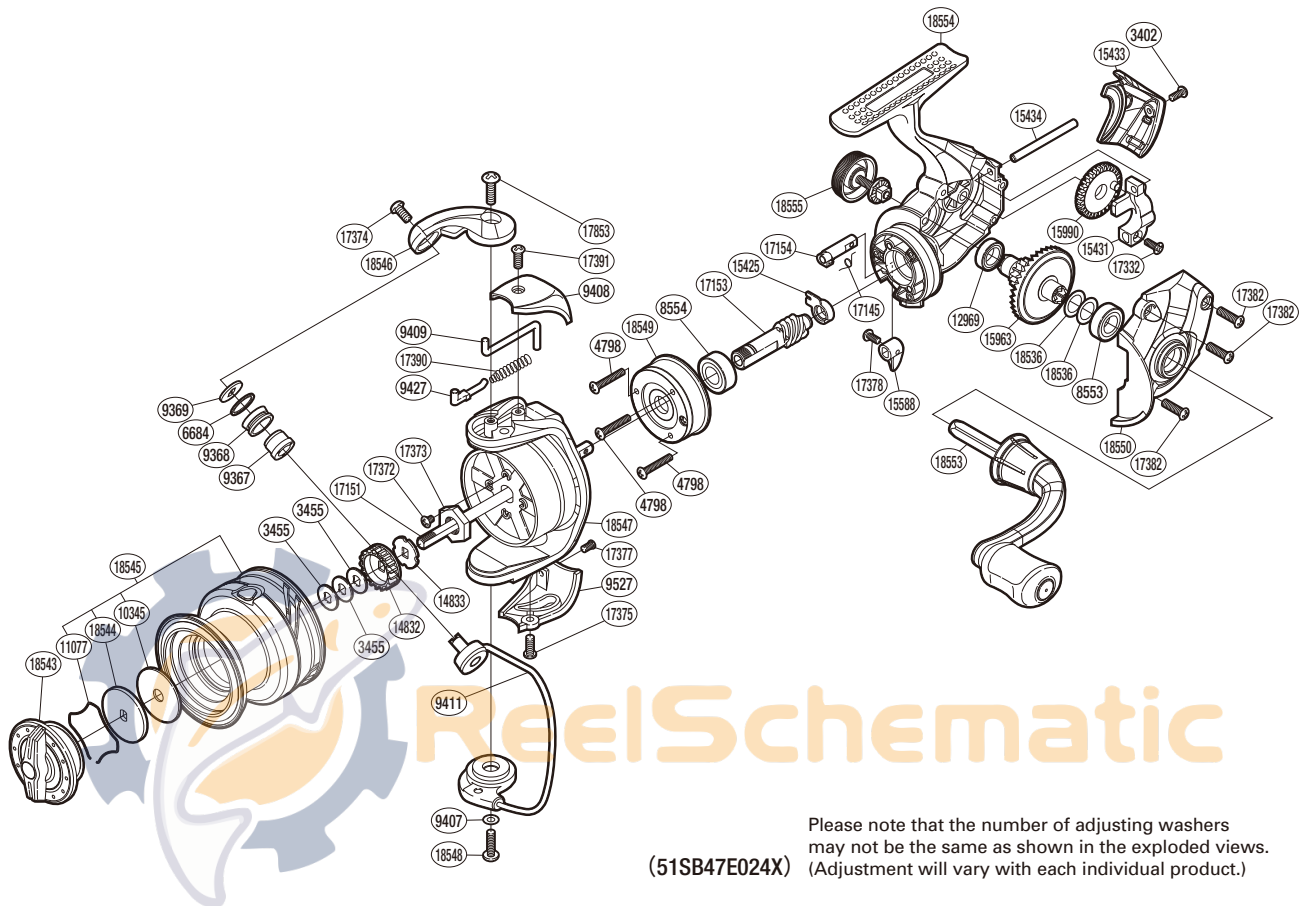


# SHIMANO

## NEXAVE

### NEX-2500FE



Please note that the number of adjusting washers may not be the same as shown in the exploded views. (Adjustment will vary with each individual product.)

(51SB47E024X)

| Part No. | Description             | Part No. | Description             | Part No. | Description            |
|----------|-------------------------|----------|-------------------------|----------|------------------------|
| RD 3402  | Screw                   | RD14832  | Spool Support A         | RD17377  | Screw                  |
| RD 3455  | Spool Washer            | RD14833  | Spool Support B         | RD17378  | Screw                  |
| RD 4798  | Screw                   | RD15425  | Pinion Gear Bushing     | RD17382  | Screw                  |
| RD 6684  | Line Roller Spacer      | RD15431  | Oscillating Slider      | RD17390  | Bail Spring            |
| RD 8553  | Ball Bearing            | RD15433  | Rear Protector          | RD17391  | Screw                  |
| RD 8554  | Ball Bearing            | RD15434  | Oscillating Guide       | RD17853  | Screw                  |
| RD 9367  | Line Roller Bushing     | RD15588  | Anti-Reverse Lever      | RD18536  | Washer                 |
| RD 9368  | Line Roller             | RD15963  | Drive Gear              | RD18543  | Drag Knob Assembly     |
| RD 9369  | Line Roller Washer      | RD15990  | Oscillating Gear        | RD18544  | Key Washer             |
| RD 9407  | Washer                  | RD17145  | Anti-Reverse Cam Spring | RD18545  | Spool Assembly         |
| RD 9408  | Bail Spring Cover       | RD17151  | Main Shaft              | RD18546  | Bail Arm               |
| RD 9409  | Bail Trip Lever         | RD17153  | Pinion Gear             | RD18547  | Rotor                  |
| RD 9411  | Bail Assembly           | RD17154  | Anti-Reverse Cam        | RD18548  | Screw                  |
| RD 9427  | Bail Spring Guide A     | RD17332  | Screw                   | RD18549  | Roller Clutch Assembly |
| RD 9527  | Bail Hold Support Guard | RD17372  | Screw                   | RD18550  | Side Cover             |
| RD10345  | Drag Washer             | RD17373  | Rotor Nut               | RD18553  | Handle Assembly        |
| RD11077  | Drag Washer Retainer    | RD17374  | Screw                   | RD18554  | Body Assembly          |
| RD12969  | Ball Bearing            | RD17375  | Screw                   | RD18555  | Handle Screw Cap       |